

ISG3200-12TS-P

Industrial Ethernet Switch

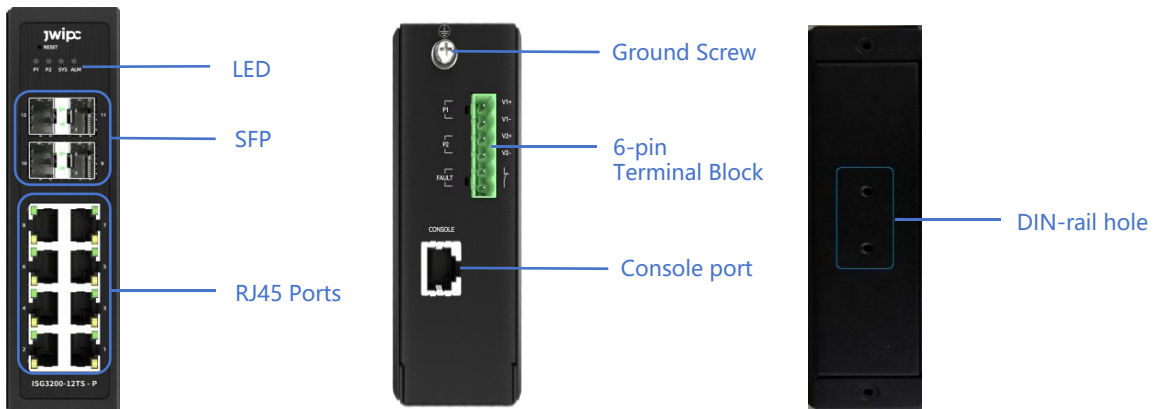


Features

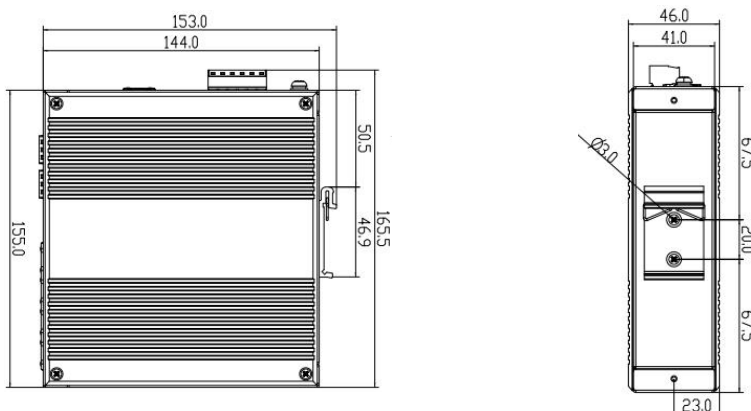
- 8*1G ports and 4*1G SFP ports
- 8 PoE Ports with IEEE802.3af/at standard
- IP40 rated aluminum housing
- -40 to 75°C operating temperature range
- Supports EAPS, ERPSv1, STP/RSTP/MSTP
- Easy network management by web browser, CLI, Telnet/serial console



Product View



Dimensions



Performance	Switching capacity	24Gbps
	flash memory	32MB
	DDRIII capacity	256MB
	MAC address table size	8K
	ARP table size	1K
	Jumbo frames	10K
	Auto-negotiation	Supported
	Auto-MDI/MDIX	Supported
Power over Ethernet	PoE Port	8 Ports, IEEE802.3af/at
	Power budget	120W
Port	RJ45	8*10/100/1000M BASE-T; 1 console port
	1G SFP	4 ports
LED	Port LED	Green: link/active; Yellow: POE
Power supply	Input range	46~57VDC, Redundant dual power inputs.
	Connection	1 removable 6-contact terminal block(s)
	Overload Current Protection	Supported
	Reverse Polarity Protection	Supported
Mechanical	Dimensions	155mm(L)×144mm(W)×46mm(H)
	Installation	DIN-rail mounting
	Heat dissipation	Fanless and natural cooling design
	IP Rating	IP40
Environment	Operating Temp.	-40~75°C(-40~167 °F)
	Storage Temp.	-40~85°C(-40~185 °F)
	Operating Humidity	5 to 95% (non-condensing)
	Storage Humidity	5 to 95% (non-condensing)
Standards and Certifications	EMC	EN 55032/24
	EMI	CE, CISPR 32, FCC Part 15B Class A
	EMS	IEC 61000-4-2 ESD: Contact: 6 kV; Air: 8 kV IEC 61000-4-3 RS: 80 MHz to 1 GHz: 10 V/m IEC 61000-4-4 EFT: Power: 2 kV; Signal: 1 kV IEC 61000-4-5 Surge: Power: 2 kV; Signal: 2 kV IEC 61000-4-6 CS: 10 V IEC 61000-4-8 PFMF
	Safety	EN 60950-1、 EN 60950-1 (LVD)
	Shock	IEC 60068-2-27
	Vibration	IEC 60068-2-6
	Freefall	IEC 60068-2-31
	WEEE	Supported
	RoHS	Supported

L2 Features

VLAN	IEEE 802.1Q VLAN, Port-based VLAN, QinQ
PORT	Port Statistics; Flow control; Rate limit; Port Mirror; MAC address limit;
Link aggregation	Static link aggregation; IEEE 802.3ad with LACP; src-mac, dst-mac, src-dst-mac,src-ip, dst-ip;
Redundancy Protocols	EAPS; ERPSv1; STP/RSTP/MSTP;
ACL	L3/L4 ACL; ACL Statistics; VLANACL; IPv4/IPv6 ACL;
QOS	SP; WRR; WFQ; 8 queues/port of Priority Queues;
IGMP	IGMP v1v2v3; IGMP Snooping;
Storm Control	Broadcast/Multicast/ Unknown Unicast Storm Control
DHCP	DHCP relay; DHCP client; DHCP Snooping;
Security	RADIUS / TACACS+;; IEEE 802.1X; Port authentication; MAC Authentication bypass; IP+MAC+Port+VLAN binding;
IPv6	Neighbor Discovery; IPv6 static route;
Management	Web management CLI via SNMPv3 RMON MIB II FTP/SFTP/TFTP client GMRP NDP NTDP SNTP LLDP ping Traceroute syslog

Model	Description
ISG3200-12TS-P	8-port RJ45 + 4-port SFP Full Gigabit managed Ethernet PoE Switch.

■ Packing List

Part Number	Description
302300008101	metal structure, industrial switch din-rail snap-fit, DIN-35mm, 20mm hole center distance, aluminum profile, T=2.5mm,47.8x30mm, sand blast, anodic oxidation, black, PK, WT
301700008229	CNT I/O, terminal block(s), WJ2EDGK-5.08-046-1YY-00A,,1x6Pin,5.08mm,Copper Alloy,180degrees,green,PA66,260°C,UL94V-0,YBCY
\	instruction book (warranty card and qualification are included)