

ISG305

Industrial Ethernet Switch

Introduction

The ISG305 is an unmanaged Ethernet switch with 5 x10/100/1000Base-T(X) ports. The ISG305 has been designed to comply with industrial standards. With wide operating temperature ranging from -40 to 75°C, IP40 rated housing, and redundant dual power inputs, the ISG305 is able to work in variable industrial environments.



Features

- 5-port Full Gigabit Ethernet Switch
- 12~48VDC redundant dual power inputs
- IP40 rated metal housing
- -40 to 75°C operating temperature range



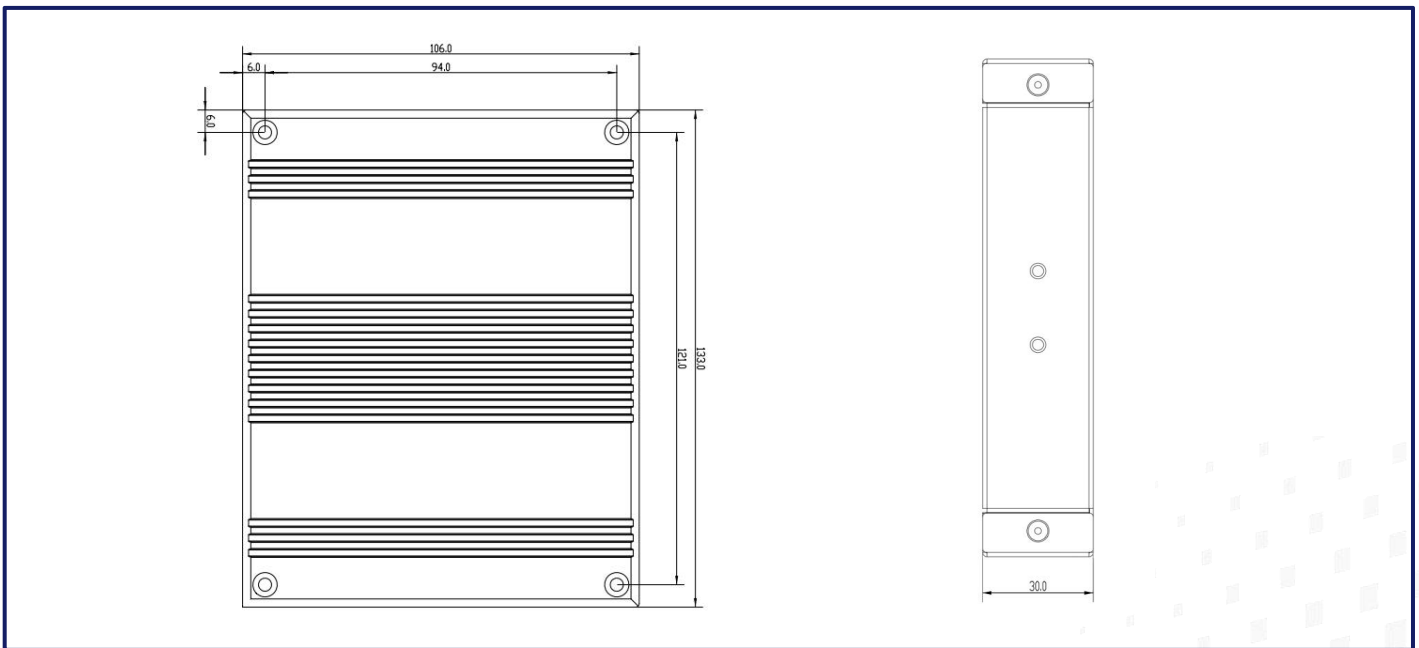
Specifications

PORT	10/100/1000BaseT(X) Ports	5
Performance	Switching capacity	10Gbps
	Auto-negotiation	Supported
	Auto-MDI/MDIX	Supported
Power supply	Input range	12~48VDC, Redundant dual power inputs
	Connection	1 removable 4-contact terminal block(s)
	Overload Current Protection	Supported
	Reverse Polarity Protection	Supported
LED	Port LED	Green: link/active
Mechanical	Dimension (W x D x H) mm	136*109*30
	Installation	DIN-rail mounting
	IP Rating	IP40
Environment	Operating Temperature	-40 to 75°C (-40 to 167°F)
	Storage Temperature	-40 to 85°C (-40 to 185°F)
	Operating Humidity (non-condensing)	5 to 95% (non-condensing)
	Storage Humidity (non-condensing)	5 to 95% (non-condensing)
	Environmental Regulation Compliance: WEEE	Supported
	Environmental Regulation Compliance: RoHS	Supported
Standards and Certifications	EMC	EN 55032/24
	EMI	CE, CISPR 32, FCC Part 15B Class A
	EMS	IEC 61000-4-2 ESD: Contact: 6 kV; Air: 8 kV IEC 61000-4-3 RS: 80 MHz to 1 GHz: 10 V/m IEC 61000-4-4 EFT: Power: 2 kV; Signal: 1 kV IEC 61000-4-5 Surge: Power: 2 kV; Signal: 2 kV IEC 61000-4-6 CS: 10 V IEC 61000-4-8 PFMF
	Safety	EN 60950-1, EN 60950-1 (LVD)
	Shock	IEC 60068-2-27
	Vibration	IEC 60068-2-6
	Freefall	IEC 60068-2-31

Product view



Dimensions



Order Information

Model	Description
ISG305	5-port Full Gigabit Ethernet Switch; 5GE, slim type.