



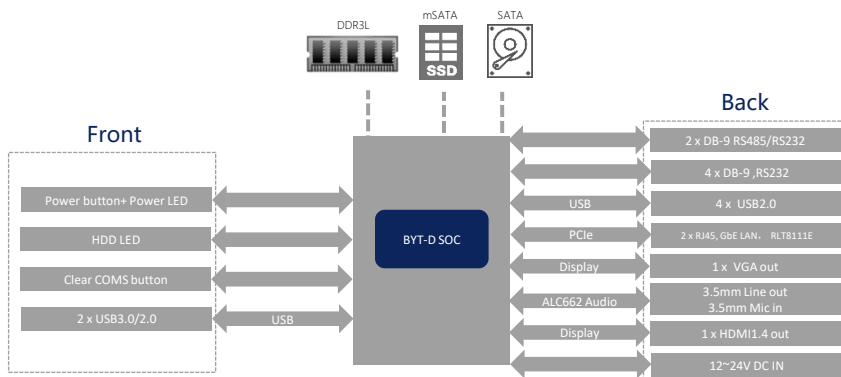
Features

- Intel Bay Trail-D platform
- 4GB DDR3L Memory
- 64G SSD Storage
- Support 4G Module
- Dual Gigabit Ethernet
- 6 USB2.0/3.0
- 6 COM
- Support HMI design

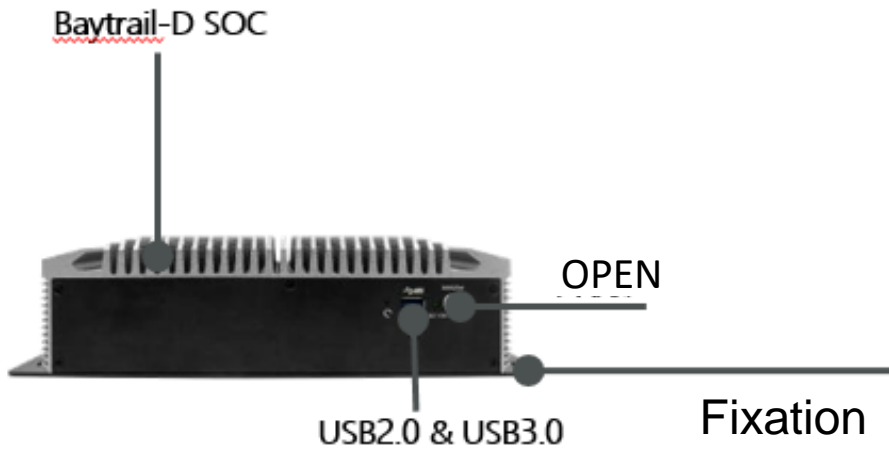
Specification

Processor	CPU	Intel® Celeron J1900/J1800 SOC
Memory	Type	4GB DDR3L 1333MHz, Max. 8GB
Storage	Type	64G SSD
Display	Graphics	Intel® HD Graphics
Network	Wireless	802.11ac/BT4.0
	LAN	2 x Gigabit Ethernet
Audio	Chipset	Realtek ALC662 HD Audio IC
I/O	Frontside	1 x Power button+Power led 1 x HDD led 1 x Clear COMS 2 x USB3.0/2.0 Type-A
	Rearside	1 x DC IN (4pin) 1 x HDMI1.4 out 1 x 3.5mm MIC IN (Pink) 1 x 3.5mm Line out (Green) 1 x VGA out 4 x USB2.0 Type-A 2 x RJ45 10/100/1000M 4 x DB-9 COM, RS232 2 x DB-9 COM, RS232/RS485
Power	Input	19V-3.42A Adapter
Function	Watchdog	Support
Structure	SIZE	256.8(298.6) x 155.8 x 77.5 mm
	Material	Aluminium+SECC
Enviroment	Temperature	Working : -10°C~55°C Storage: -20°C~70°C
	Humidity	10%~90% (non-condensing)

Block Diagram



Front I/O



Rear I/O



Ordering Information

P/N	SOC	VGA	HDMI	GbE LAN	USB2.0/3.0	COM	Storage	WIFI/BT	Memory
IX35-S2D4	Celeron J1900	1	1	2	5/1	6	64GB SSD	802.11ac/BT4.0	4G DDR4
IX34-S2D4	Celeron J1800	1	1	2	5/1	6	64GB SSD	802.11ac/BT4.0	4G DDR4

Packing list

Description	Qty
PC BOX	1 pcs (work package)
Manual	1
Drive disk	1
Adapter	1



IoT Solutions Alliance



JWIPC官网二维码
感谢您的关注！