

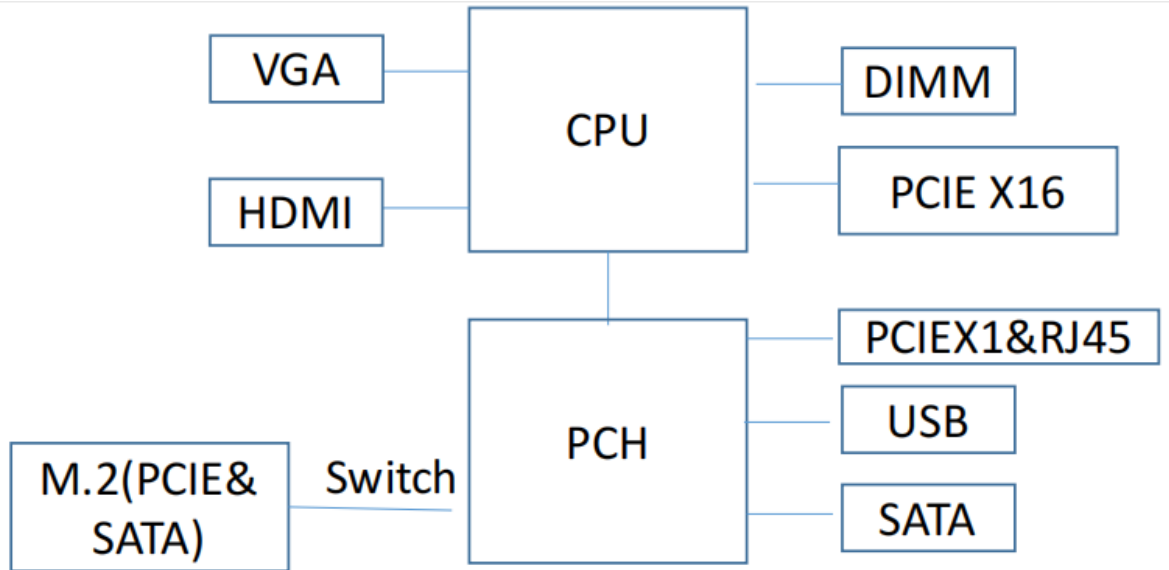


主板特点

- ◆ Intel Comet Lake-S H510
- ◆ 2 x U-DIMM DDR4
- ◆ 1 x M.2 support 2242/2280 NVMe/SATA SSD;
- ◆ 4 x SATA Gen3 Port , SATA1 and M.2-2 adpot SATA
- ◆ Expansion: 10 x USB2.0/3.0, 1 x COM
- ◆ Support 1 x PCIe x16
- ◆ 1 x Gigabit Ethernet
- ◆ Powered by standard 24 ATX

主板规格简介

Processor	CPU	Comet Lake-S 10th Rocky lake-S 11th 6C 65W baseline
Display	GPU	Onbard+PCIE
	Interface	MI, VGA, DVI
Memory	Type	2 x U-DIMM DDR4 , Max support DDR4-3200
	OS	WIN10
System	BIOS	AMI
	Storage	
	M.2	1 x M.2 1 support 2242/2280 NVMe/SATA SSD接口;
	SATA	4 x SATA Gen3 Port , SATA1 and M.2-2 share SATA information
Audio	Chipset	HD Audio IC, ALC662
	Interface	1 x Line out , 1 x Line in , 1 x Mic in; 3.5mm Audio Jack, 1 x 9pin, 2 x 5-1 2.54mm
Network	LAN	Gigabit network interface
	USB	IO: 4 x USB2.0, 2 x USB3.0 Onboard: 1 x USB2.0 pin ; 1 x USB3.0 pin
I/O	COM	1
	Expansion	1 x PCIe x16 Rocket I5及以上CPU时, 为PCIE 4.0 1x PCIe x1
	F_Panel	1,2*5pin-1 (2.54 pin)
	Other	2x CPU_FAN 4Pin pin 1 x SYS_FAN 4Pin pin
Power	Input	ATX , 24PIN +8PIN power supply
SIZE	L X H	Micro ATX, 195 x 225 mm
Environment	Operating Temperature	-5~40°C
	Operating Humidity	10%~90% Non-condensing
	Storage Temperature	-20~70°C
	Storage Humidity	5%~95% Non-condensing



产品功能



产品图示



描述	数量
SATA数据线	1
驱动光盘	1
产品说明/简易指南	1
I/O 挡片	1

产品型号	描述
H510M	H510 MATX 标准主板

包装清单

产品销售选型