

S088

ROCKCHIP RK3588 Platform OPS PC

JWIPC S088 is based on Rockchip RK3588 platform design, which equips with Quad-core Big Cortex-A76 + Quad-core little Cortex-A55 up to 2.6GHz Processor and 4K display solution for education and conference solution, an ideal Digital Signage, KIOSK and Bank Information Release solution. S088 complying with Open Pluggable specification, can be easily installed, upgraded and maintained.



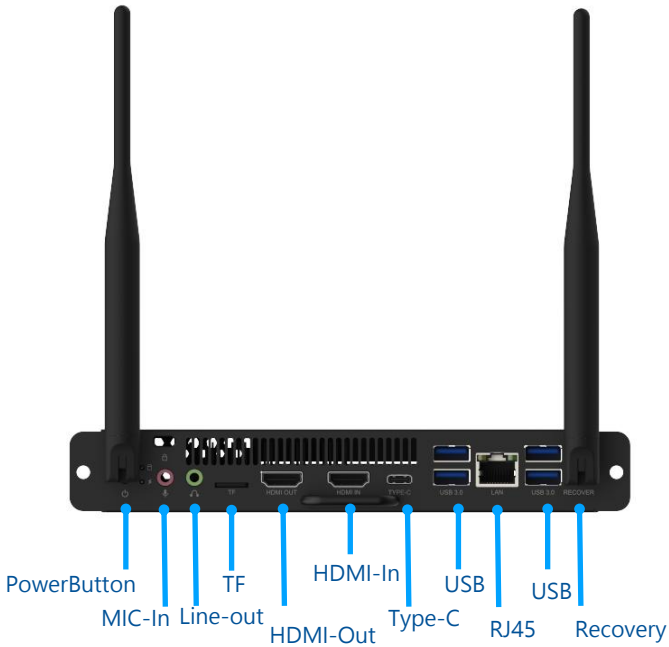
- Based on Rockchip RK3588 Platform with fan designed
- Support LPDDR4x memory 4GB/8GB
- Support eMMC5.1 16GB/32GB/64GB/128GB Storage
- Support WIFI-BT/4G Wireless network
- Front I/O: 1 x HDMI-Out Display port, 1 x HDMI-IN Port
- Front I/O: 4 x USB3.0 Type-A, 1 x Type-C, 1 x Micro SD slot
- Support 1000M Ethernet RJ45 port
- OPS Connector: 1 x HDMI2.0 , 2 x USB2.0 ,1 x USB3.0, other control signals
- Support Android13 OS

Specifications

Processor System	CPU	RK3588
	Frequency	2.6GHz
	Processing units	Quad-core Big Cortex-A76 + Quad-core little Cortex-A55
Graphics	Graphic card	Mali-G610 MC4
	Multi displays	Support Dual displays
	Interface	1 x HDMI-Out 4K@60Hz, 1 x HDMI-In 4K@60Hz; 1 x HDMI-Out 4K @60Hz (OPS Connector)
Memory	Type	LPDDR4x
	Memory	4 GB/8 GB
Ethernet	Lan IC	1 x LAN IC,YT8521SC
	Interface	10/100/1000Mbps
	Connector	1 x RJ45
Wireless	Type	Mini PCIe WiFi/BT Module
	Interface	M.2 Key E 2230 Connector
4G	Type	USB Signals For 4G Module
	Interface	M.2 Key B 3042 Connector
Storage	Type	Onboard
	Interface	Onboard EMMC5.1 16GB/32GB/64GB/128GB
IO Interface	Front panel	1 x PowerButton, 1 x Recovery Key 1 x Power Led 1 x HDD Led 4 x USB3.0 Type-A, 1 x Type-C, 1 x Micro SD Card 1 x HDMI-out 4K@60Hz, 1 x HDMI-In 4K@60Hz 1 x Line-out, 1 x MIC-In 2 x Antennas
	OPS Connector	1 x 2.5/5.5 DC-IN Connector 1 x SIM Card Slot 1 x HDMI2.0-Out, 2 x USB3.0, 1 x USB2.0, 1 x TTL, other control signals
Software	WatchDog	Support
	Auto Power On	Support
	RTC	Power On/Off at specific time ,a week as a cycle
Power	Power Input	12~19V DC IN, 2.5/5.5 DC Jack & JAE 80pin DC IN
OS	Operation System	Android13
Size	Dimension	Comply with OPS standard module, 119(L) x 180(W) x 30(H) mm
Environment	Temperature	Operating -5°C~45°C,Storage -20°C~70°C
	Operating Humidity	10%~90% non-condensing

Product view

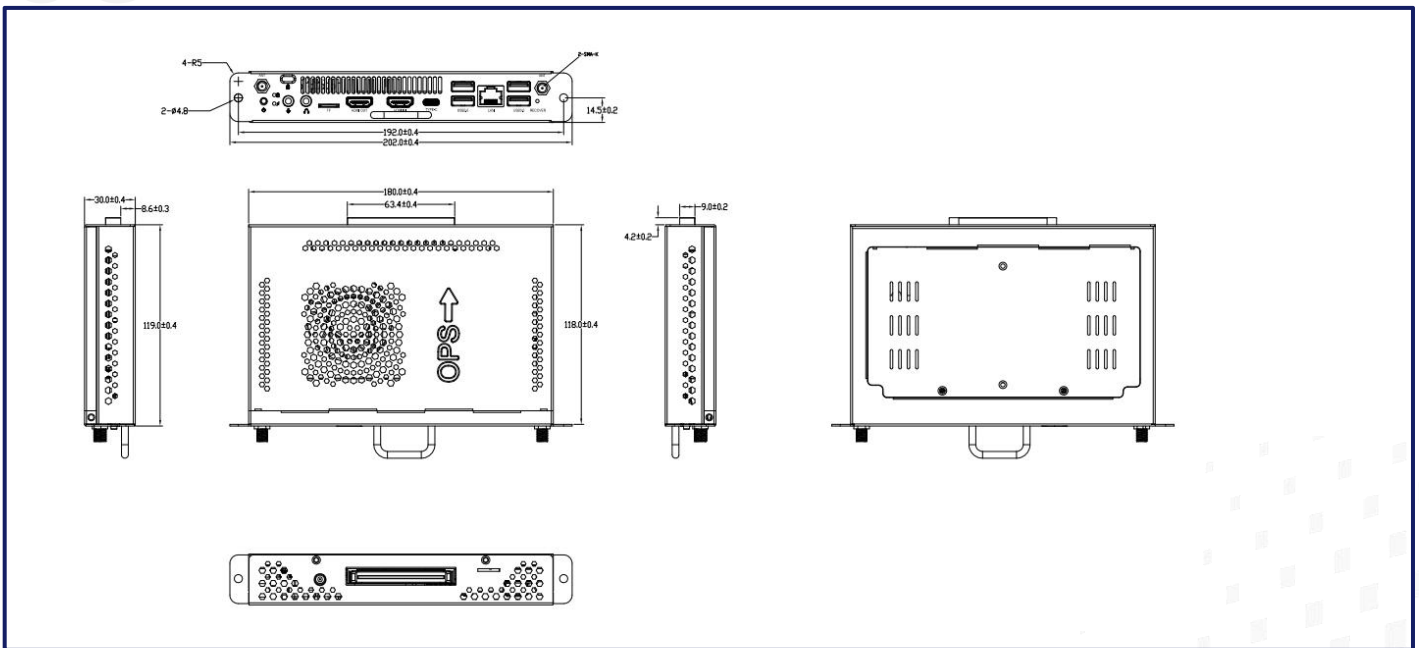
Front I/O



Rear I/O



Dimensions



Ordering Information

Model	Description
S088-A	Rockchip RK3588/LPDDR4x 4GB/64GB EMMC/1* RJ45/2* HDMI-Out/1* HDMI-IN/5* USB3.0/2* USB2.0/1* Type-C /1* TF/1* WIFI-BT
S088-B	Rockchip RK3588/LPDDR4x 8GB/128GB EMMC/1* RJ45/2* HDMI-Out/1* HDMI-IN/5* USB3.0/2* USB2.0/1* Type-C/ 1* TF/1* WIFI-BT