

JEA-E088

Rockchip RK3588 AI Edge Gateway

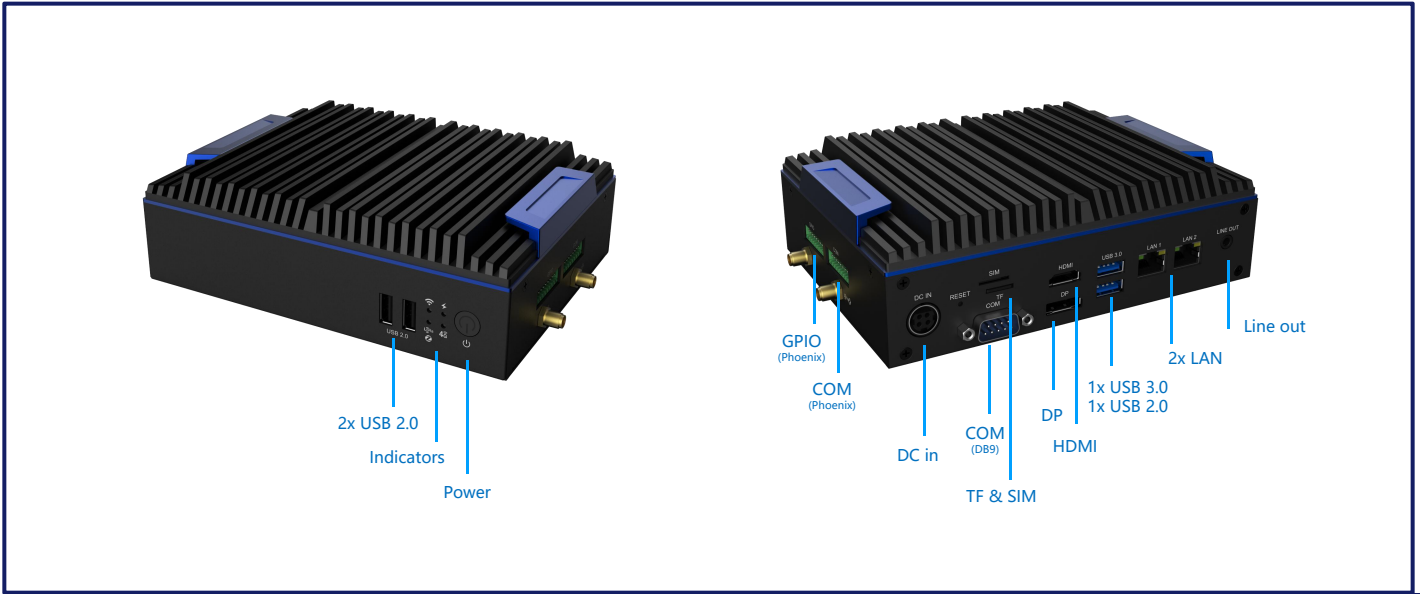


- Arm-based AI Edge Gateway
- Rockchip RK3588 SoC up to 2.6 GHz
- 4x Cortex-A76 + 4x Cortex-A55 + 1x Mali-G610 3D GPU
- 6 TOPS NPU + M.2 for 8 TOPS AI accelerator
- On-board 4/8GB LPDDR4/4X + 32/64GB eMMC 5.1
- Supports NVMe SSD or TF card expansion
- On-board WiFi+BT module + M.2 Key B for 5G/4G
- Display: 1x HDMI, 1x DP
- I/O: 2x GbE, 6x USB, 4x COM
- Supports TPM/TCM encryption module
- Supports Android 12

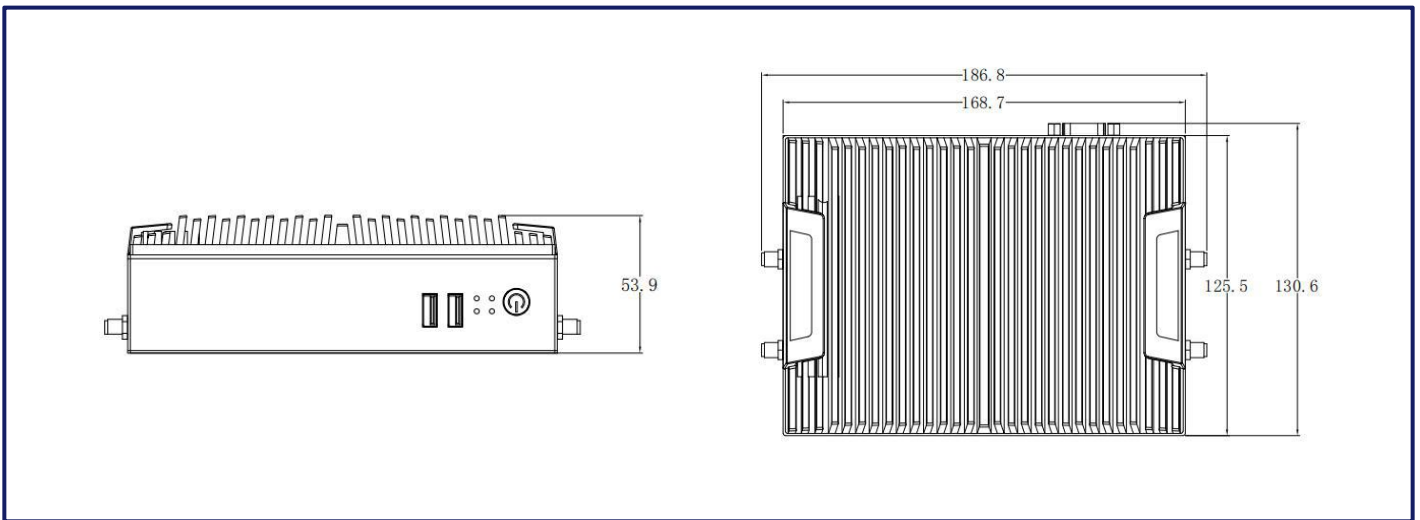
01 Specifications

SoC	Rockchip RK3588, Quad Cortex-A76+Quad Cortex-A55 processors up to 2.6 GHz, 64-bit Arm® v8.2-A architecture
NPU	6 TOPS Neural Network performance
GPU	Arm Mali-G610 MP4, supports OpenGL ES 1.1/2.0/3.2, OpenCL 2.2, Vulkan 1.2
H/W Video Codec	Decoder: H.265, VP9, AVS2 up to 8K60; Encoder: H.265, H264 up to 8K30
Memory	On-board 4/8GB Dual channel LPDDR4/4X
Flash Memory	On-board 32/64GB eMMC 5.1
Ethernet	2x 10/100/1000M Ethernet
Wireless Connectivity	On-board 2.4G WiFi+BT 4.2 or 2.5&5G WiFi+BT 4.2 1x M.2 Key B for 5G/4G, 1x Micro SIM slot 1x 4G module via COM, supports private network for power industry 1x Zigbee module via COM
Expansion	1x M.2 2280 for NVMe SSD or Cambricon MLU220 AI accelerator (up to 8 TOPS)
Display	1x HDMI 2.0 Type-A 1x DP 1.4 Type-A
Audio	1x 3.5mm Line out
USB	1x USB 3.0 Type-A 3x USB 2.0 Type-A 2x USB 2.0 pin header
COM	1x RS-232+RS-485, 10 pin Phoenix connector 1x RS-232/RS-485 DB9 1x RS-232/TTL pin header
TF Card	1
GPIO	1x 10 pin Phoenix connector (4 lane in+4 lane out)
Pin Headers	1x LED, 1x buzzer, 1x CPU fan, 1x power button, 1x recovery button
TPM/TCM	Built-in Z32H330TC TCM module Built-in USB 2.0 pin header for encryption module expansion
Power Supply	DC 12V
Dimensions	187x131x54 mm
Operating System	Android 12
Operating Conditions	0~50°C, 10%~90% non-condensing
Storage Conditions	-20~70°C, 5%~90% non-condensing

02 Product Overview



03 Dimensions



04 Order Information

Part No.	SoC	Memory	Flash Memory	LAN	WiFi	5G/4G	Display	USB	COM	GPIO	Operating Temperature
E088-A1	RK3588 Octa core	4GB	32GB	2	Yes	M.2	1x HDMI 1x DP	4	4	8	0~50°C
E088-B1	RK3588 Octa core	8GB	64GB	2	Yes	M.2		4	4	8	0~50°C